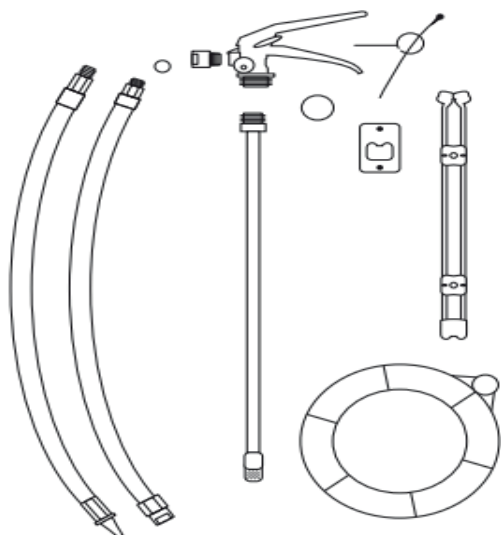




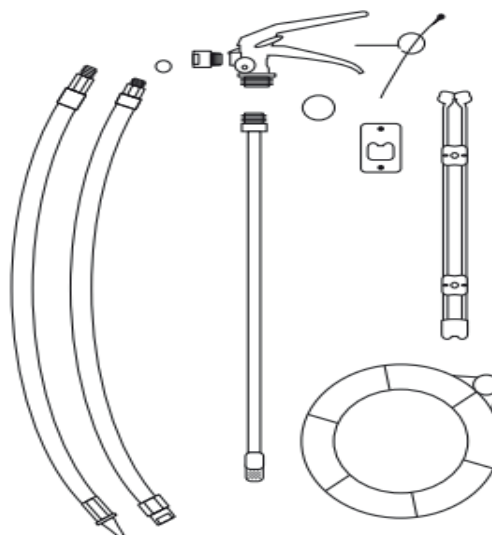
PowerX



WATER / FOAM AFFF - Stored Pressure
6ltr-EXF6

Part No.	Description
81/04053	Valve assembly complete - inc gauge, handles - 6/9ltr
81/02914	Neck O ring seal - 3/6/9ltr (pack 50)
81/02915	Safety pin - 3/6/9ltr (pack 50)
81/02921	Discharge tube assembly inc adaptor - 6ltr
81/02928	Hose assembly - 6ltr
81/04051	Hose O ring seal (pack 25)
81/03580	Foam refill 180ml - 6ltr EXF6
81/02933	Wall bracket - 3/6/9ltr
81/02936	Skirt black - 6ltr
81/03607	O Ring Nozzle end

PowerX



WATER / FOAM AFFF - Stored Pressure
9ltr-EXF9

Part No.	Description
81/04053	Valve assembly complete - inc gauge, handles - 6/9ltr
81/02914	Neck O ring seal - 3/6/9ltr (pack 50)
81/02915	Safety pin - 3/6/9ltr (pack 50)
81/02922	Discharge tube assembly inc adaptor - 9ltr
81/02929	Hose assembly - 9ltr
81/04051	Hose O ring seal (pack 25)
81/03581	Foam refill 570ml - 9ltr EXF9
81/02933	Wall bracket - 3/6/9ltr
81/02937	Skirt black - 9ltr
81/03607	O Ring Nozzle end

