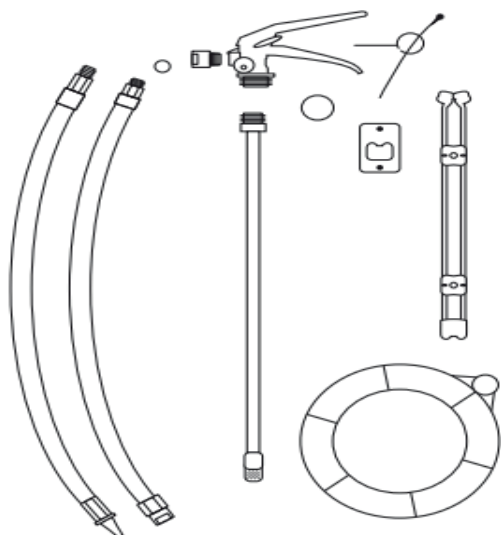




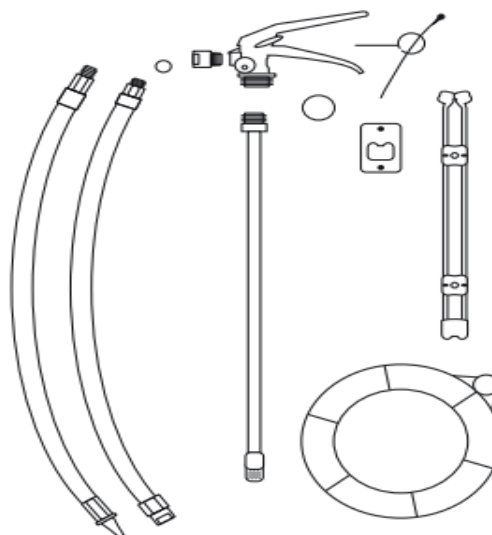
PowerX



WATER / FOAM AFFF - Stored Pressure
2ltr-EXF2

Part No.	Description
81/02910	Valve assembly complete - inc gauge, handles - 2ltr
81/02913	Neck O ring seal - 2ltr (pack 50)
81/04054	Safety pin - 2ltr (pack 50)
81/04055	Discharge tube assembly inc adaptor - 2ltr
81/04051	Hose O ring seal (pack 25)
81/04056	Nozzle - 2ltr foam
81/02931	Wire bracket - 2ltr
81/03607	O Ring Nozzle end

PowerX



WATER / FOAM AFFF - Stored Pressure
3ltr-EXF3

Part No.	Description
81/04048	Valve assembly complete - inc gauge, handles - 3ltr
81/02914	Neck O ring seal - 3/6/9ltr (pack 50)
81/02915	Safety pin - 3/6/9ltr (pack 50)
81/04049	Discharge tube assembly inc adaptor - 3ltr
81/04050	Hose assembly - 3ltr
81/04051	Hose O ring seal (pack 25)
81/02933	Wall bracket - 3/6/9ltr
81/04052	Skirt black - 3ltr
81/03607	O Ring Nozzle end

